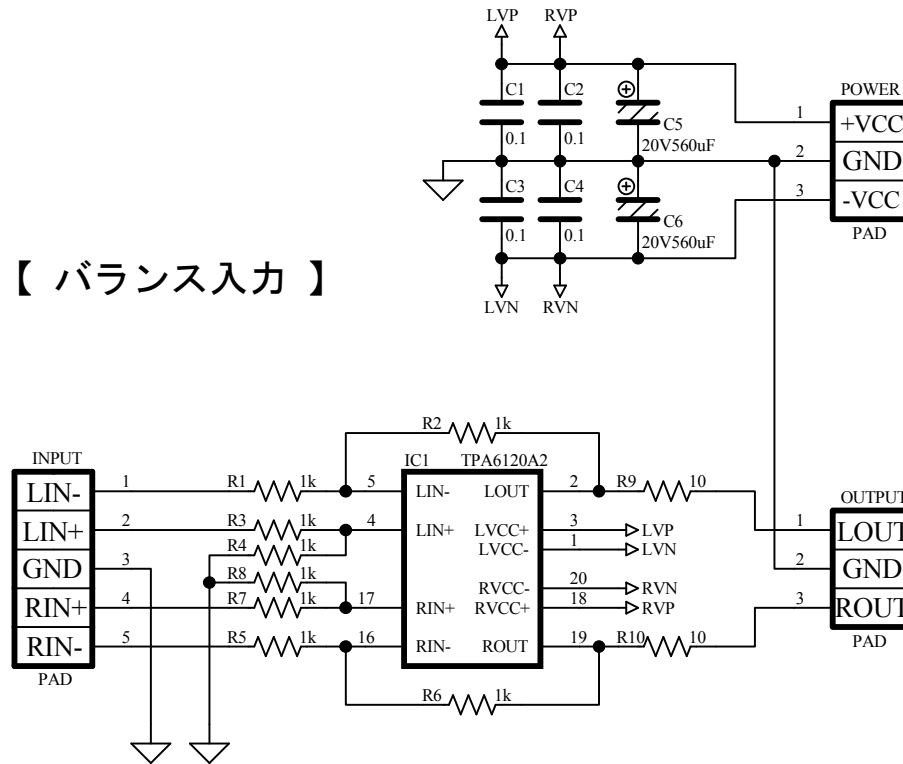


【 バランス入力 】



Title		
Size	Number	Revision
A4		
Date:	29-Oct-2015	Sheet of
File:	E:\ito\Sch\Ito\TPA6120\HPA_1.sch	Drawn By: